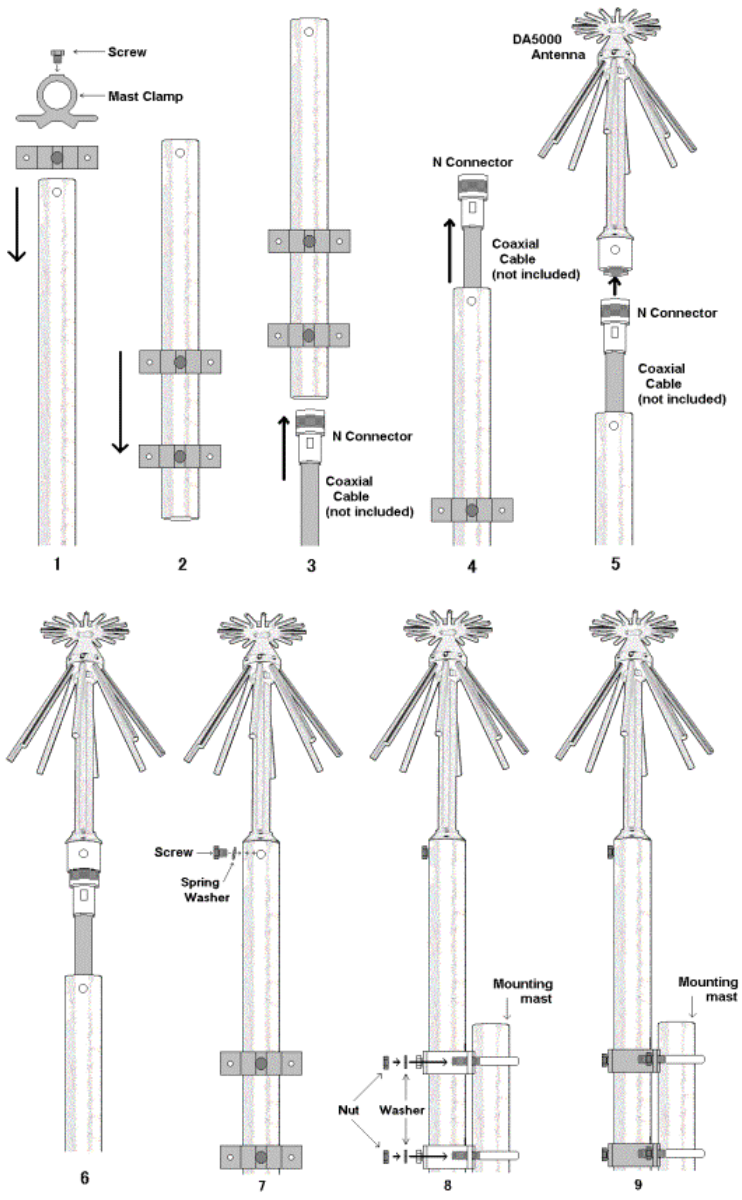


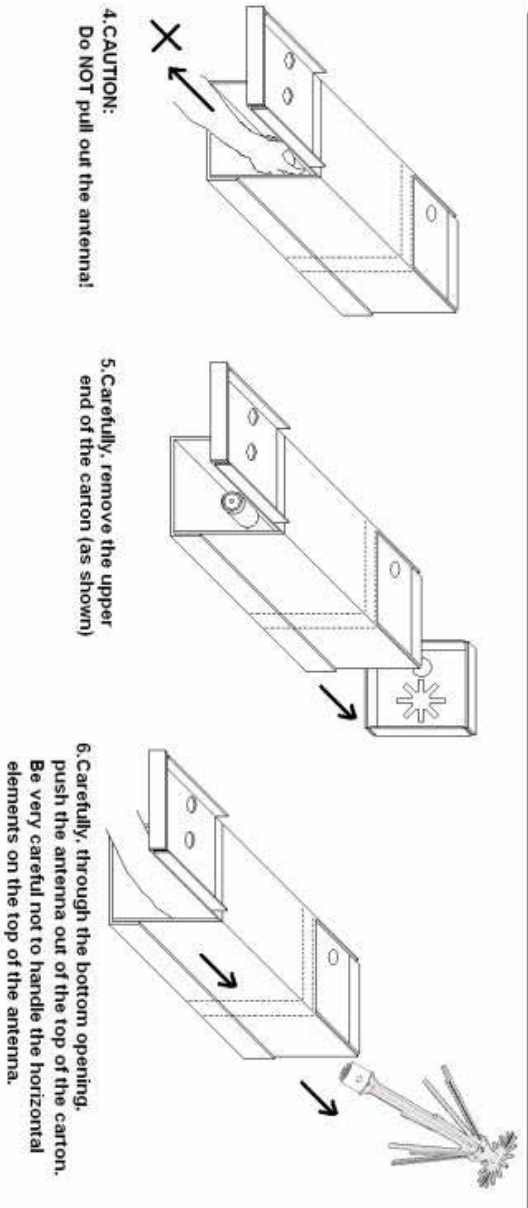
**IMPORTANT !!! READ unpacking instructions before proceeding !!!**  
 Do NOT touch the horizontal elements! Improper handling of the horizontal elements will degrade the aerial's performance.

Do NOT touch the horizontal elements! Improper handling of the horizontal elements will degrade the aerial's performance.

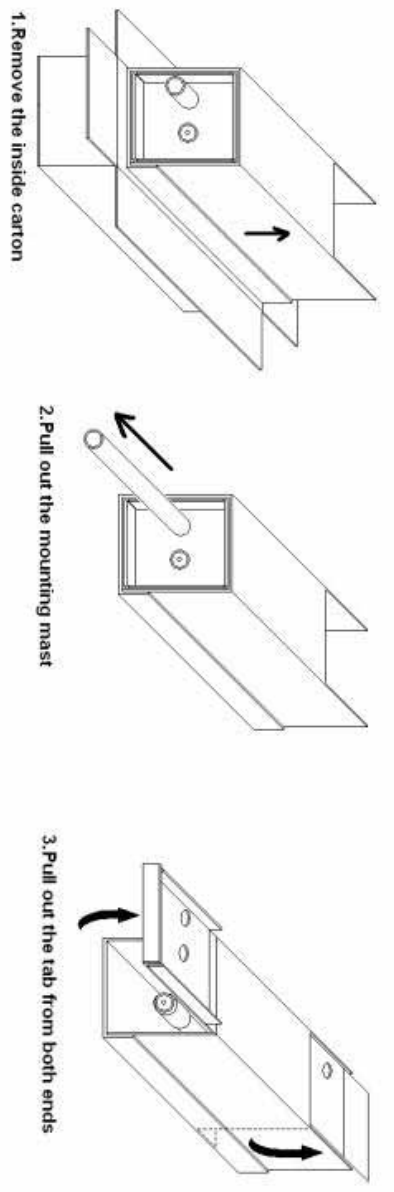


Assembly instructions

1. Connect the N connector
2. Insert the screw with washer (as shown)
3. Secure to stub-mast (included) and to mounting pole (not supplied)



1. Remove the inside carton
2. Pull out the mounting mast
3. Pull out the tab from both ends
4. CAUTION: Do NOT pull out the antenna!
5. Carefully, remove the upper end of the carton (as shown)
6. Carefully, through the bottom opening, push the antenna out of the top of the carton. Be very careful not to handle the horizontal elements on the top of the antenna.



1. Remove the inside carton
2. Pull out the mounting mast
3. Pull out the tab from both ends